



**MORIN BUILDING
8570 EXECUTIVE PARK AVENUE
FAIRFAX, VIRGINIA 22031**

Date Issued: June 17, 2024
To: All Prospective Offerors
Issued by: Brian Carter, Buyer I
Subject: Addendum #1 to IFB #24-120 PVC Meter Boxes

The purpose of this addendum is to answer questions submitted prior to the deadline for questions.

I. General

1. The deadline for submitting bids will remain prior to 2:00 p.m, Friday, June 28, 2024.

II. Questions and Answers

1. Q: Is there a drawing to review?

A: The attached excerpts from Fairfax Water’s standard details include drawings of the typical application for both 18” and 27” meter boxes. The exact measurements of each box required for this solicitation are included in section 2.B.2 of the IFB

NO OTHER QUESTIONS WERE RECEIVED PRIOR TO THE DEADLINE

III. Acknowledgement

Acknowledge your receipt of, and compliance with, this Addendum by either signing the attached acknowledgement, or referencing its receipt and your compliance, in your bid.

**IFB #24-120
PVC Meter Boxes**

ACKNOWLEDGEMENT OF RECEIPT OF ADDENDUM # 1

I certify that the information contained in the proposal submitted on behalf of the below named firm incorporates any and all changes to the original specification. I further certify by my signature below, that I am fully authorized to acknowledge receipt of the above addendum and also bind the below named firm to the terms, conditions and specifications of the IFB and any changes thereto made by this addendum.

ACKNOWLEDGED BY:

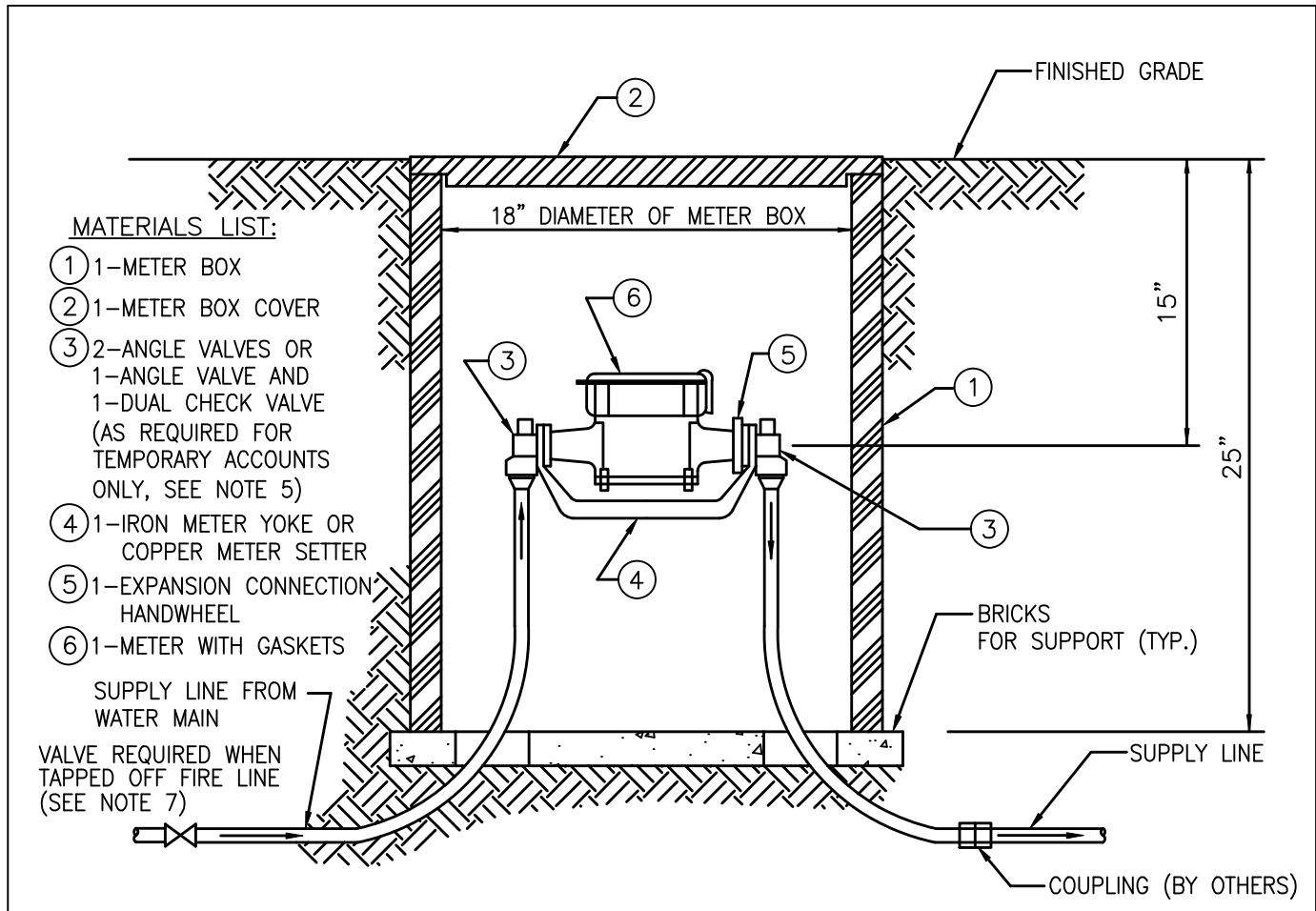
FOR: _____
Company Name

Date

Signature of Authorized Agent


Printed/typed name

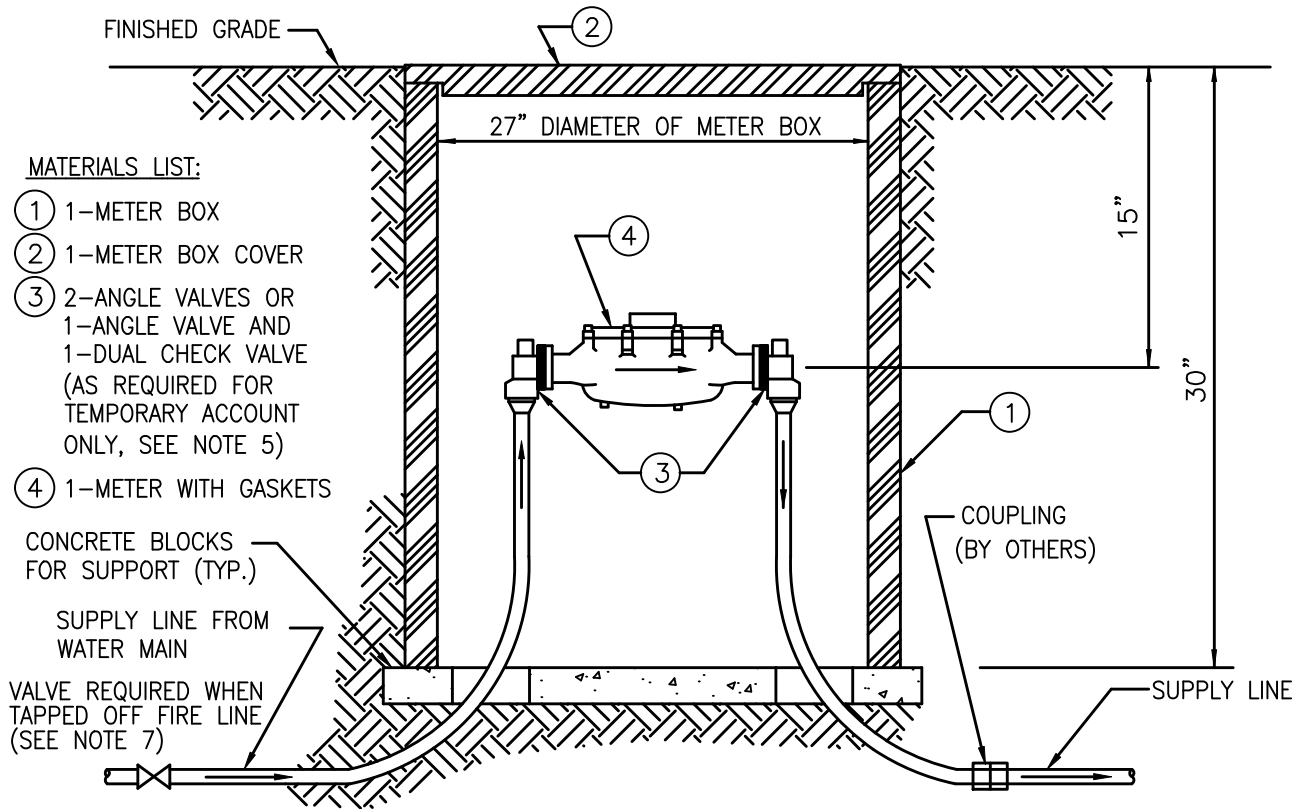
Title



NOTES:

1. THE WATER METER BOX SHALL BE INSTALLED IN AN ACCESSIBLE LOCATION IN A GREEN SPACE AND SO AS NOT TO BE A TRIP HAZARD.
2. WATER METER TO BE INSTALLED BY FAIRFAX WATER AS SHOWN IN THE DIAGRAM ABOVE. METER TO BE INSTALLED BY CUSTOMER WHEN TAPPED OFF FIRE LINE.
3. THE METER INSTALLATION WILL BE INSPECTED AND APPROVED BY FAIRFAX WATER. CALL 703-289-6402 FOR INSPECTION PRIOR TO PLACING LINE IN SERVICE.
4. FAIRFAX WATER TO SUPPLY ITEMS SHOWN IN MATERIALS LIST. ALL OTHER MATERIALS TO BE SUPPLIED BY THE CUSTOMER.
5. DUAL CHECK VALVE BACKFLOW PREVENTER SHALL BE INSTALLED ON OUTLET SIDE OF THE WATER METER IN A LOCATION THAT IS ACCESSIBLE, WITH CAP EXPOSED TO FACILITATE REMOVAL, SERVICING, OR TESTING. PIPE MUST BE THOROUGHLY FLUSHED TO REMOVE FOREIGN MATERIALS BEFORE INSTALLING THE CHECK VALVE.
6. FAIRFAX WATER MAINTAINS THE SUPPLY LINE BETWEEN THE METER AND THE MAIN, METER, METER BOX, AND METER BOX COVER ONLY. FAIRFAX WATER WILL NOT MAINTAIN SUPPLY LINE WHEN TAPPED OFF FIRE LINE.
7. A 4"-MINIMUM GATE VALVE WITH A 2" OPERATING NUT MUST BE INSTALLED ON THE SERVICE LINE WHEN TAPPED OFF THE FIRE LINE.
8. NO STRUCTURES, POLES, SIGN POSTS, TREES OR SHRUBS TO BE INSTALLED WITHIN FOUR FEET OF METER CROCK.

	FAIRFAX WATER STANDARD DETAILS	SCALE: NOT TO SCALE
	EXTERIOR METER INSTALLATION 5/8" THROUGH 1" METER SIZES	DETAIL NO.: 6
DATE: 2/2024		



MATERIALS LIST:

- ① 1-METER BOX
- ② 1-METER BOX COVER
- ③ 2-ANGLE VALVES OR 1-ANGLE VALVE AND 1-DUAL CHECK VALVE (AS REQUIRED FOR TEMPORARY ACCOUNT ONLY, SEE NOTE 5)
- ④ 1-METER WITH GASKETS

CONCRETE BLOCKS FOR SUPPORT (TYP.)

SUPPLY LINE FROM WATER MAIN

VALVE REQUIRED WHEN TAPPED OFF FIRE LINE (SEE NOTE 7)

COUPLING (BY OTHERS)

SUPPLY LINE

NOTES:

1. THE WATER METER BOX SHALL BE INSTALLED IN AN ACCESSIBLE LOCATION IN GREEN SPACE AND SO AS NOT TO BE A TRIP HAZARD.
2. WATER METER TO BE INSTALLED BY FAIRFAX WATER AS SHOWN IN THE DIAGRAM ABOVE. METER TO BE INSTALLED BY CUSTOMER WHEN TAPPED OFF FIRE LINE.
3. THE METER INSTALLATION WILL BE INSPECTED AND APPROVED BY FAIRFAX WATER. CALL 703-289-6402 FOR INSPECTION PRIOR TO PLACING LINE IN SERVICE.
4. FAIRFAX WATER TO SUPPLY ITEMS SHOWN IN MATERIALS LIST ONLY. ALL OTHER MATERIALS TO BE SUPPLIED BY THE CUSTOMER.
5. DUAL CHECK VALVE BACKFLOW PREVENTER SHALL BE INSTALLED ON OUTLET SIDE OF THE WATER METER IN A LOCATION THAT IS ACCESSIBLE, WITH CAP EXPOSED TO FACILITATE REMOVAL, SERVICING, OR TESTING. PIPE MUST BE THOROUGHLY FLUSHED TO REMOVE FOREIGN MATERIALS BEFORE INSTALLING THE CHECK VALVE.
6. FAIRFAX WATER MAINTAINS THE SUPPLY LINE BETWEEN THE METER AND THE MAIN, THE METER, METER BOX, AND THE METER BOX COVER ONLY. FAIRFAX WATER WILL NOT MAINTAIN SUPPLY LINE WHEN TAPPED OFF FIRE LINE.
7. A 4"-MINIMUM GATE VALVE WITH A 2" OPERATING NUT MUST BE INSTALLED ON THE SERVICE LINE WHEN TAPPED OFF FIRE LINE.



**FAIRFAX WATER
STANDARD DETAILS**

SCALE:
NOT TO SCALE

**EXTERIOR METER INSTALLATION
1 1/2" AND 2" METER SIZES**

DETAIL NO.:

8

DATE: 2/2024